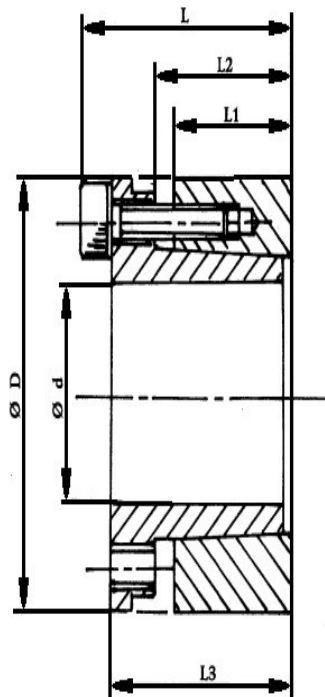


Tuleje zaciskowe RCK 70



Tuleje zaciskowe RCK 70														
Symbol	Ød	ØD	L1	L2	L3	L	przenoszony moment Nm	naciski		ilość	śruby kl. 12.9		śruby luzujące	
								wał N/mm ²	piasta N/mm ²		typ	moment dokręcania Nm	ilość	typ
RCK70 19/47	19	47	26	31	39	45	350	228	98	4	M6x25	17	2	M6
RCK70 20/47	20	47	26	31	39	45	390	231	100	4	M6x25	17	2	M6
RCK70 22/47	22	47	26	31	39	45	440	220	95	4	M6x25	17	2	M6
RCK70 24/50	24	50	26	31	39	45	519	215	102	6	M6x25	17	3	M6
RCK70 25/50	25	50	26	31	39	45	590	230	105	6	M6x25	17	3	M6
RCK70 28/55	28	55	26	31	39	45	700	220	110	6	M6x25	17	3	M6

RCK70 30/55	30	55	26	31	39	45	760	200	120	6	M6x25	17	3	M6
RCK70 32/60	32	60	26	31	39	45	930	230	114	8	M6x25	17	4	M6
RCK70 35/60	35	60	26	31	39	45	1030	200	119	8	M6x25	17	4	M6
RCK70 38/65	38	65	26	31	39	45	1240	210	124	8	M6x25	17	4	M6
RCK70 40/65	40	65	26	31	39	45	1350	200	125	8	M6x25	17	4	M6
RCK70 42/75	42	75	30	36	47	55	2170	236	140	6	M8x30	41	3	M8
RCK70 45/75	45	75	30	36	47	55	2350	236	140	6	M8x30	41	3	M8
RCK70 48/80	48	80	30	36	47	55	2510	218	135	6	M8x30	41	3	M8
RCK70 50/80	50	80	30	36	47	55	2580	218	135	6	M8x30	41	3	M8
RCK70 55/85	55	85	30	36	47	55	3200	223	145	8	M8x30	41	4	M8
RCK70 60/90	60	90	30	36	47	55	3380	198	157	8	M8x30	41	4	M8
RCK70 65/95	65	95	30	36	47	55	4160	213	140	8	M8x30	41	4	M8
RCK70 70/110	70	110	40	46	57	67	6840	225	143	8	M10x35	83	4	M10
RCK70 75/115	75	115	40	46	62	72	7500	210	138	8	M10x35	83	4	M10
RCK70 80/120	80	120	40	46	62	72	8100	200	130	8	M10x35	83	4	M10
RCK70 85/125	85	125	40	46	62	72	9700	210	145	10	M10x35	83	4	M10
RCK70 90/130	90	130	40	46	62	72	10300	200	138	10	M10x35	83	4	M10
RCK70 95/135	95	135	40	46	62	72	12100	210	148	10	M10x35	83	4	M10
RCK70 100/145	100	145	46	52	77	89	15700	216	148	8	M12x45	145	4	M12
RCK70 110/155	110	155	46	52	77	89	17200	196	139	8	M12x45	145	4	M12

RCK70 120/165	120	165	46	52	77	89	22500	216	156	10	M12x45	145	4	M12
RCK70 130/180	130	180	46	52	77	89	24000	196	140	12	M12x45	145	4	M12
RCK70 140/190	140	190	51	59	84	90	30800	196	145	8	M14x45	230	4	M14
RCK70 150/200	150	200	51	59	84	90	37150	205	153	10	M14x45	230	5	M14
RCK70 160/210	160	210	51	59	84	90	40500	205	155	10	M14x45	230	5	M14
RCK70 170/225	170	225	51	59	84	90	40900	163	123	12	M14x45	230	6	M14
RCK70 180/235	180	235	51	59	84	90	41300	160	120	12	M14x45	230	6	M14

* - Informacje zawarte w tabeli są informacjami poglądowymi, za które firma DORMET nie odpowiada.