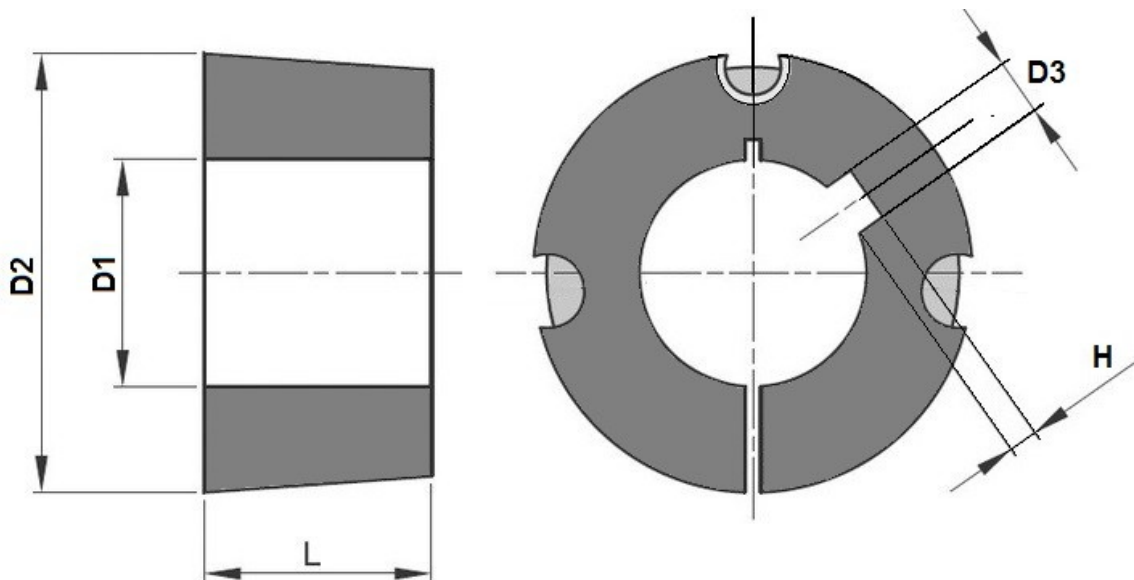


## Taper Lock ( Taper Bush ) 3020



| Symbol         | D1 | D2  | L    | D3 | H    | Typ śruby   | Moment dokręcania | Waga [kg] |
|----------------|----|-----|------|----|------|-------------|-------------------|-----------|
| <b>3020/25</b> | 25 | 108 | 50,8 | 8  | 3,30 | 5/8"x1"1/4" | 90 Nm             | 2,92      |
| <b>3020/28</b> | 28 | 108 | 50,8 | 8  | 3,30 | 5/8"x1"1/4" | 90 Nm             | 2,80      |
| <b>3020/30</b> | 30 | 108 | 50,8 | 8  | 3,30 | 5/8"x1"1/4" | 90 Nm             | 2,85      |
| <b>3020/32</b> | 32 | 108 | 50,8 | 10 | 3,30 | 5/8"x1"1/4" | 90 Nm             | 2,81      |
| <b>3020/35</b> | 35 | 108 | 50,8 | 10 | 3,30 | 5/8"x1"1/4" | 90 Nm             | 2,76      |
| <b>3020/38</b> | 38 | 108 | 50,8 | 10 | 3,30 | 5/8"x1"1/4" | 90 Nm             | 2,68      |
| <b>3020/40</b> | 40 | 108 | 50,8 | 12 | 3,30 | 5/8"x1"1/4" | 90 Nm             | 2,65      |
| <b>3020/42</b> | 42 | 108 | 50,8 | 12 | 3,30 | 5/8"x1"1/4" | 90 Nm             | 2,60      |
| <b>3020/45</b> | 45 | 108 | 50,8 | 14 | 3,80 | 5/8"x1"1/4" | 90 Nm             | 2,53      |
| <b>3020/48</b> | 48 | 108 | 50,8 | 14 | 3,80 | 5/8"x1"1/4" | 90 Nm             | 2,44      |
| <b>3020/50</b> | 50 | 108 | 50,8 | 14 | 3,80 | 5/8"x1"1/4" | 90 Nm             | 2,38      |
| <b>3020/55</b> | 55 | 108 | 50,8 | 16 | 4,30 | 5/8"x1"1/4" | 90 Nm             | 2,24      |
| <b>3020/60</b> | 60 | 108 | 50,8 | 18 | 4,40 | 5/8"x1"1/4" | 90 Nm             | 2,08      |
| <b>3020/65</b> | 65 | 108 | 50,8 | 18 | 4,40 | 5/8"x1"1/4" | 90 Nm             | 1,90      |
| <b>3020/70</b> | 70 | 108 | 50,8 | 20 | 4,90 | 5/8"x1"1/4" | 90 Nm             | 1,70      |
| <b>3020/75</b> | 75 | 108 | 50,8 | 20 | 4,90 | 5/8"x1"1/4" | 90 Nm             | 1,50      |

\* - Informacje zawarte w tabeli są informacjami poglądowymi, za które firma DORMET nie odpowiada.